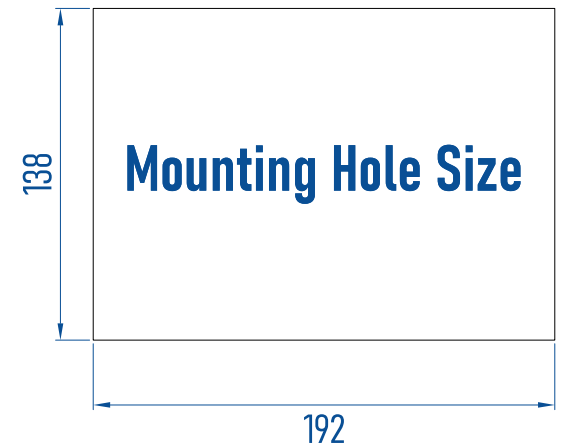
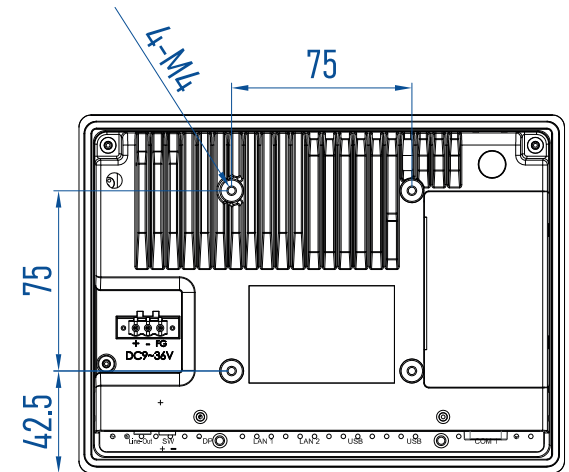
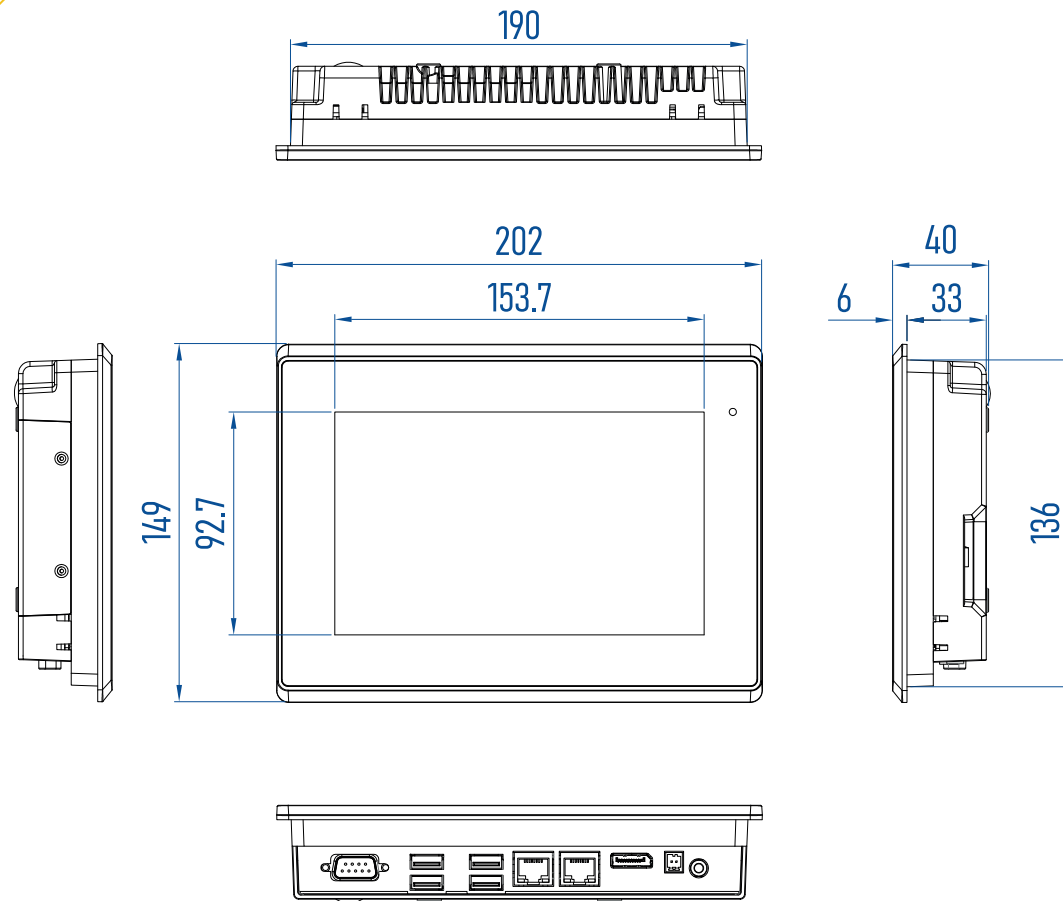


## ALUMINIUM PANEL PC

MECHANICAL	
CONSTRUCTION	Aluminium Front Bezel, Aluminium die-casting chassis
MOUNTING	Panel Mount, VESA 75x75
DIMENSIONS (mm)	202 x 149 x 40
NET WEIGHT (kg)	TBD
IP RATING	IP66 compliant front bezel
CERTIFICATE	CE / FCC Class A
ENVIRONMENT	
OPERATING TEMPERATURE	0 ~ 50° C
STORAGE TEMPERATURE	-30 ~ 70° C
STORAGE HUMIDITY	10 ~ 90% @40°C, non-condensing
INQUIRY CODES	
VISION-807R-J6	7" TFT, 800x480, Intel® Celeron J6412, RTS, 9-36V DC, 350cd/m2
VISION-807RH-J6	7" TFT, 800x480, Intel® Celeron J6412, RTS, 9-36V DC, 1000cd/m2
VISION-807P-J6	7" TFT, 800x480, Intel® Celeron J6412, PCT, 9-36V DC, 350cd/m2
VISION-807PH-J6	7" TFT, 800x480, Intel® Celeron J6412, PCT, 9-36V DC, 1000cd/m2
NOTE	RAM and Storage capacity must be specified in the inquiry

VISION-807-J6	
SYSTEM	
CPU	Intel® Celeron™ J6412 Processor (1.8GHz, 1.5MB)
SYSTEM CHIPSET	SoC
MEMORY (MAX)	1x 260-pin SO-DIMM up to 32GB DDR4 3200MHZ
OPERATING SYSTEM	Windows® 10/11
GRAPHICS	Intel HD® Graphics
INTERFACE PORTS	
USB	2x USB 3.2 Gen2 Type A, 2x USB 2.0 Type A
SERIAL	1x RS-232/422/485 (default RS-232)
LAN	2x GbE LAN RJ-45 with Intel 82574L controller
AUDIO	1x Audio Line Out
VIDEO	1x DP, supports DP++
OPTION	VESA Stand 4G LTE / WiFi / BT
STORAGE	
STORAGE	1x M.2 B-Key supports SATA3, 2242
EXPANSIONS	
EXPANSION SLOT	1x Mini-PCIe slot (full size), 1x Micro SD card slot
DISPLAY	
DISPLAY TYPE	7" TFT-LCD 16:10
MAX RESOLUTION	800 x 480
MAX COLOR	262K
BRIGHTNESS (cd/m²)	350   1000
VIEW ANGLE (H°/V°)	160/160
CONTRAST	1000:1
TOUCHSCREEN	
TYPE	Resistive (R)   Projected Capacitive (P)
INTERFACE	USB
LIGHT TRANSMISSION	Resistive 80%   Capacitive 90%
POWER	
POWER INPUT	9 ~ 36V DC
POWER CONSUMPTION	TBD
POWER PORTS	1x 3-pin Terminal Block Connector 1x 2-pin Power Switch Connector

# VISION-807-J6



Tolerance:  $\pm 0.5$