

PROFINET PRIORITY

Unmanaged Switch 802.1 Q/P QoS



- **Support 802.1 Q/p QoS**
Prioritizing Profinet packets
- **Broadcast storm protection**
- **Redundant DC power input**
- **Reverse polarity protection**
- **Plastic Case**



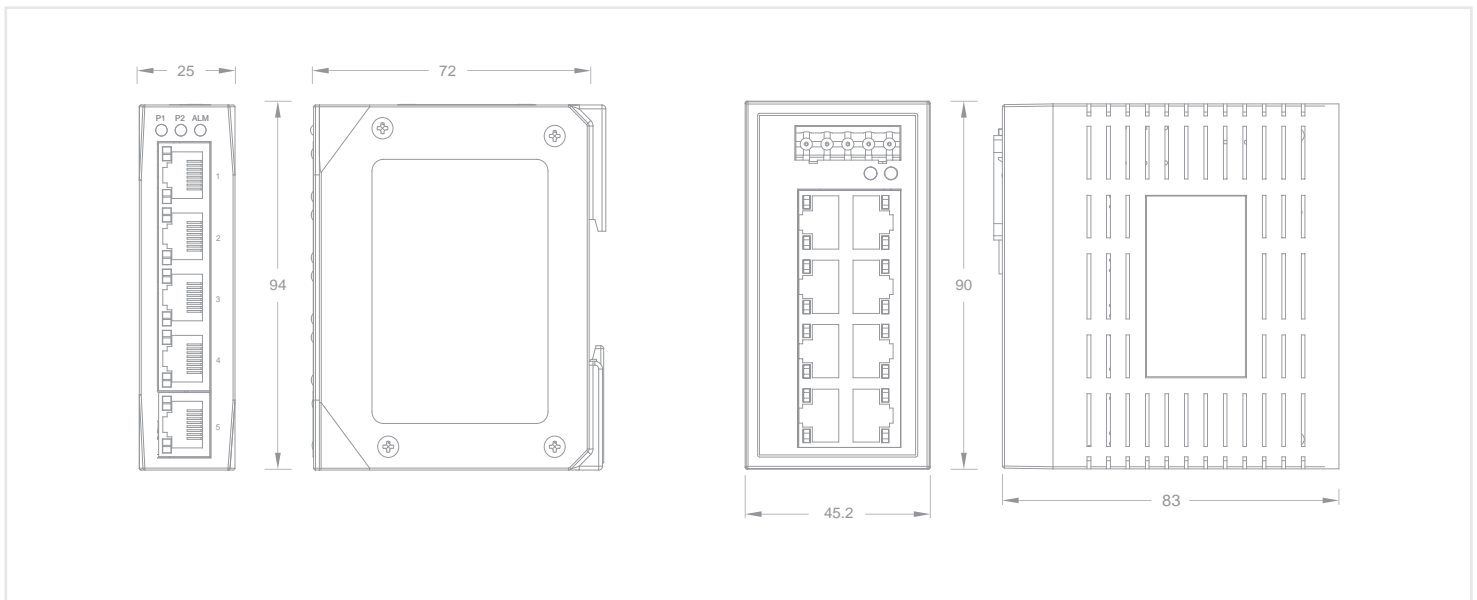
Confezione Fornitura



Confezione Fornitura

P/N	TP.1EH30.0500.001G	TP.1EH20.0800.001G
Device Name	SWT.PN20.05T1.9999.S.PL	SWT.PN20.08T1.9999.S.PL
Type	5 Rj45 - 10/100 Base Tx	8 Rj45 - 10/100 Base Tx
Processing	Store and Forward with 802.1 Q/p QoS	
Rj45 ports	Auto negotiation speed / Full Half duplex mode / autoMDI/MID-X	
Dual Input Voltage	12 - 48 VDC	9 - 48VDC
Input Current / Power Cons.	0,5 A max / 6W max	0,6 A max / 5,4W max
Operating Temperature	0°C / 60° C	
Case/IP	B/Din Mounting - Plastic Case - IP30	
Approvals	CE - UL/listed - Fcc - ROHS	

Technical drawings

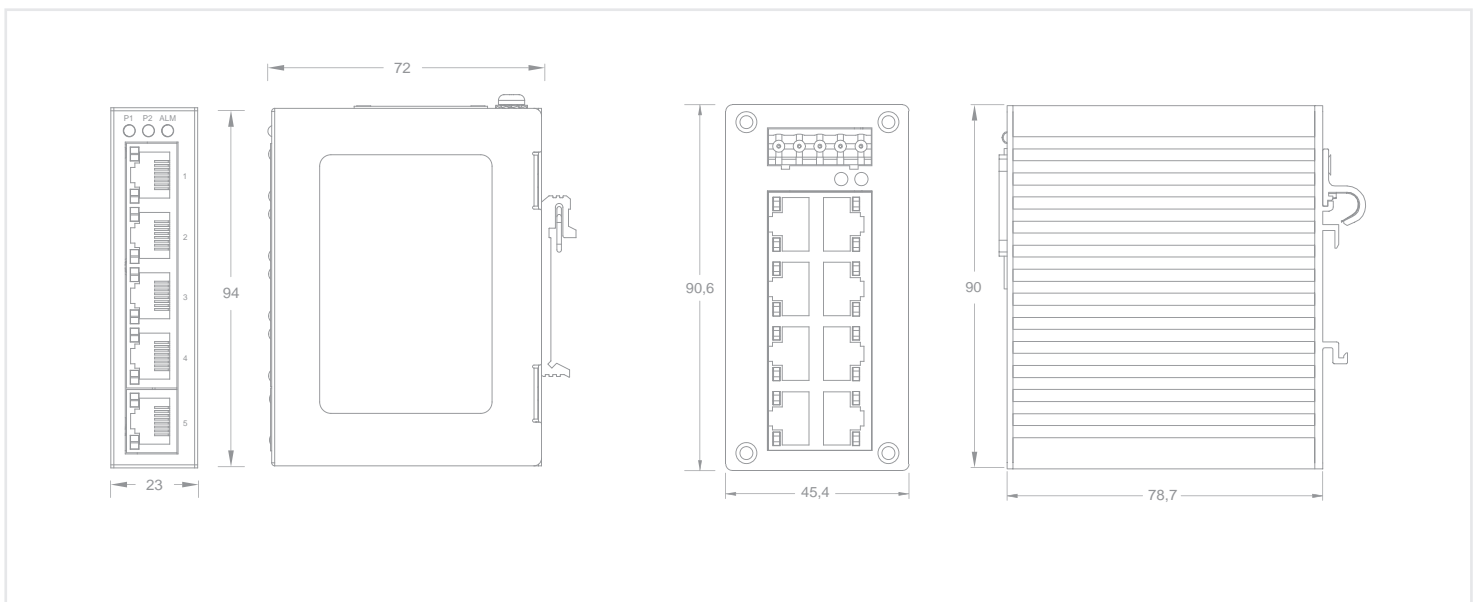


- **Support 802.1 Q/p QoS**
Prioritizing Profinet packets
- **Broadcast storm protection**
- **Redundant DC power input**
- **Reverse polarity protection**
- **Metallic Case**



P/N	TP.1EH33.0500.001G	TP.1EH23.0800.001G
Device Name	SWT.PN20.05T1.9999.T.MT	SWT.PN20.08T1.9999.T.MT
Type	5 Rj45 - 10/100 Base Tx	8 Rj45 - 10/100 Base Tx
Processing	Store and Forward with 802.1 Q/p QoS	
Rj45 ports	Auto negotiation speed / Full Half duplex mode / autoMDI/MID-X	
Dual Input Voltage	12 - 48 VDC	9 - 48VDC
Input Current / Power Cons.	0,5 A max / 6W max	0,6 A max / 5,4W max
Operating Temperature	-40°C / 70° C	-10°C / 70° C
Case/IP	B/Din Mounting - Metal Housing - IP30	
Approvals	CE - UL/listed - Fcc - ROHS	

Technical drawings





Save your money with
SPECIAL PRICES 5 PIECES BUNDLES



P/N	TP.BOX05.PN.PL	TP.BOX.08.PN.PL
Plastic Case	SWT.PN20.05T1.9999.S.PL	SWT.PN20.08T1.9999.S.PL
P/N	TP.BOX05.PN.MT	TP.BOX.08.PN.MT
Metallic Case	SWT.PN20.05T1.9999.T.MT	SWT.PN20.08T1.9999.T.MT

PREMIUM DISTRIBUTOR PARTNER

